

# Aleasub-10

Bassreflex-Subwoofer



Herzlichen Dank,  
dass Sie ein Voice-Acoustic Produkt gekauft haben.  
Seit dem Jahr 2006 entwickeln wir unsere Produkte  
in der Überzeugung, dass es auf die Details ankommt.  
Wir wünschen Ihnen viel Freude mit diesem Produkt.

Thank you very much,  
for purchasing a Voice-Acoustic product.  
Since 2006 we have been developing our  
products in the firm belief that details matter.  
May we wish you a lot of pleasure with this product.

Muchas gracias  
por haber comprado un producto de Voice-Acoustic.  
Desde el año 2006 estamos desarrollando nuestros productos  
estando convencidos, que son los detalles que cuentan.  
Le(s) deseamos mucha alegría usando este producto.

Merci beaucoup  
d´avoir acheté un produit Voice-Acoustic.  
Depuis 2006, nous développons des produits  
avec la ferme conviction que les détails comptent.  
Nous vous souhaitons beaucoup de plaisir à utiliser ce produit.



## Introduction

---

General Safety Instructions .....	4
Care .....	4
Transport and storage .....	4
Warranty .....	4
Components .....	5
Technical data .....	6
Connections .....	6
Setup .....	7
Connecting cables .....	7
Operation .....	7

## Working with Aleasub-10

---

Mounting the U-bracket .....	8
Mounting wall holder for hidden mounting .....	8
Folding handle mounting .....	8
Overview Accessories .....	9

## Manufacturer's declaration

---

Imprint .....	10
---------------	----

## General Safety Instructions

Loudspeakers produce a static magnetic field even if they are not connected or are not in use. Therefore make sure when erecting and transporting loudspeakers that they are nowhere near equipment and objects which may be impaired or damaged by an external magnetic field. Persons with cardiac pacemakers must maintain a safe distance.

The minimum recommended safety clearance is 1 m.

Never stand in the immediate vicinity of loudspeakers driven at a high level. Professional loudspeaker systems are capable of causing a sound pressure level detrimental to human health. Seemingly non-critical sound levels (from approx. 90 dB SPL) can cause hearing damage if people are exposed to it over a long period.

All connected cables must be laid in such a way that they cannot be crushed by objects and that nobody can step on them! Replace damaged cables immediately and do not use them!

Use only accessory parts specified by Voice-Acoustic or original accessory parts from Voice-Acoustic. Check all cabinets and accessories regularly for wear and replace them if necessary.

Do not set up the loudspeakers in places where they are permanently exposed to moisture, dust, dirt or direct sunlight.

## Care

Wipe the surface of loudspeakers only with a damp cloth and pure water. In case of heavy pollution, repeat the above procedure several times if necessary. Do not use any chemical additives or aggressive detergents, as these may harm and damage the surfaces.

## Transport and storage

When transporting and storing the unit, it is important to ensure that the surface and front grill of the loudspeaker are not damaged. Moisture can penetrate through exposed wood surfaces and cause the wood to swell. A bent or broken front grill will no longer adequately protect the sensitive speaker membranes. In addition, appreciable dust deposits may considerably impair the functionality of a loudspeaker membrane. For this reason, the loudspeakers should be transported and stored in a safe, careful, dry and largely dust-free manner.

The following accessory parts for transport and storage are available from Voice-Acoustic:

- Aleasub-10 handhold for hidden mounting back board (Art.-Nr. 999934482)

**Note:** *The original packaging is unsuitable as permanent storage and transport packaging!*

## Warranty

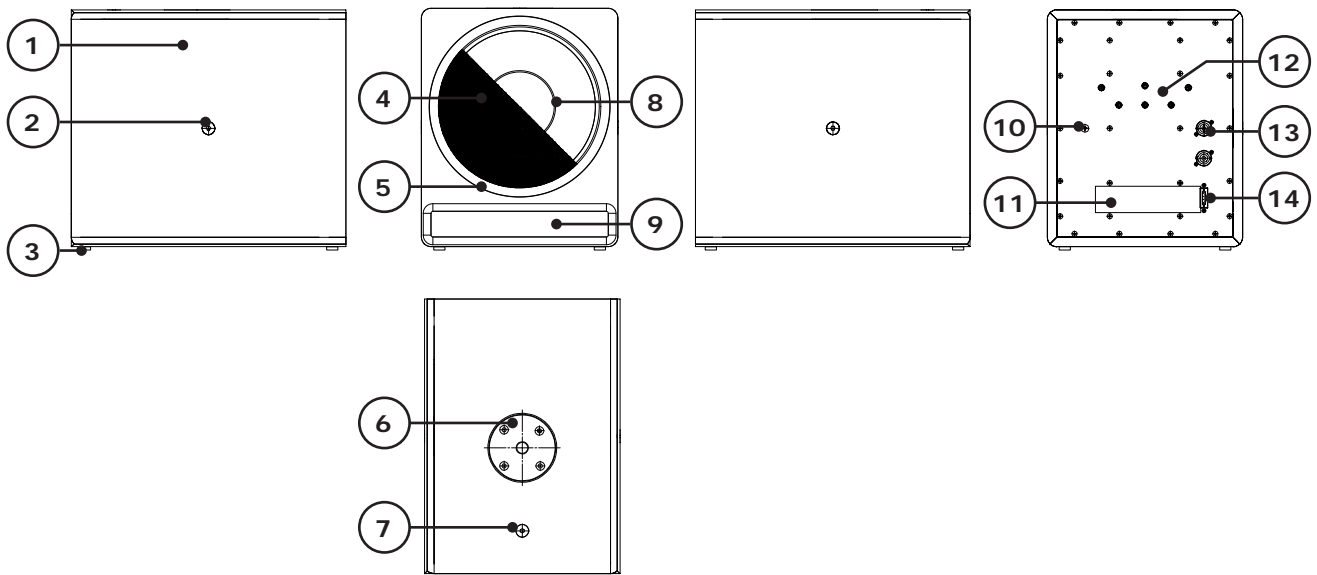
The warranty period is 24 months from date of delivery.

On our choice we will eliminate any lack of conformity with repair or with replacement of the faulty goods. The place of performance for warranty services is Voice-Acoustic headquarters in Dörverden. In case of remedy of defects, the buyer shall bear all costs resulting from transportation of the goods to Voice-Acoustic headquarters in Dörverden.

The ordering party is not entitled to remedy the defect by itself or to organise a replacement and to charge such activities to Voice-Acoustic. In case of self remedy by the ordering party the warranty given by Voice-Acoustic becomes void.

Warranty doesn't apply to parts of wear and tear, such as threaded points, Phoenix Contact connectors and the SpeakON® connectors.

## Components



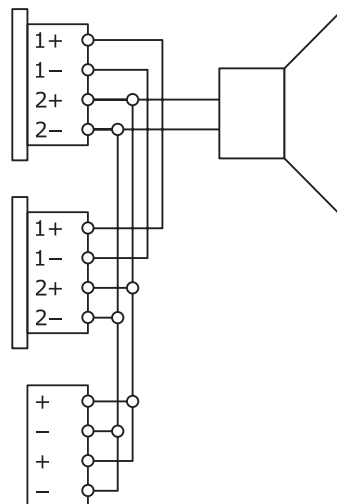
1. 24 and 15 mm multiplex cabinet, Warnex textured paint finish
2. M10 threaded points on both sides for mounting the U-bracket
3. 4 x rubber feet (for mounting with U-bracket only included on request)
4. Micromesh honeycomb grille
5. Ornamental ring
6. M20 Mounting flange for spacer rod
7. M10 Thread point
8. 10" Ferrit Tieftöner
9. Bass reflex port
10. M6 threaded point for safety rope
11. Type plate with serial number
12. 5 x cylinder head screws with hexagon socket for mounting the optional folding handle
13. Connector panel with two SpeakON® connectors
14. Phoenix Contact connectors

## Technical data

<b>Components</b>	4 x 4" Neodym wideband transducer with 0,75" voice coil
<b>Frequency response</b>	161 Hz - 18 kHz (- 10 dB) 210 Hz - 15,4 kHz (+/- 3 dB)
<b>Coverage range (h x v)</b>	70° x vertical directivity is controlled by the angle between the elements
<b>Powerhandling</b>	120 W AES / 240 W program / 480 W peak at 16 $\Omega$
<b>Sound pressure</b>	116 dB SPL AES / 119 dB SPL program / 122 dB SPL peak
<b>Dimensions / Weight</b>	419 (h) x 119 (w) x 160 mm (d) / 3,2 kg
<b>Finish</b>	Warnex texture paint

## Connections

The speaker has two loop-through Neutrik NL4 SpeakON® IN/OUT connectors. They use the 2+/2- connection pins. Additional loudspeakers can be looped through via the second connector. 1 x Phoenix Contact connections, 4-pin divided into 2 x IN/OUT, through-wired with SpeakON®.



## Setup

The Aleasub-10 is designed for standing, vertical and horizontal operation. A variety of accessories is available from Voice-Acoustic to securely attach the loudspeaker safely on tripods, distance rods or hanging it from on trusses, ceilings and walls. Ensure that the loudspeakers are securely attached to prevent personal injury and damage of property.

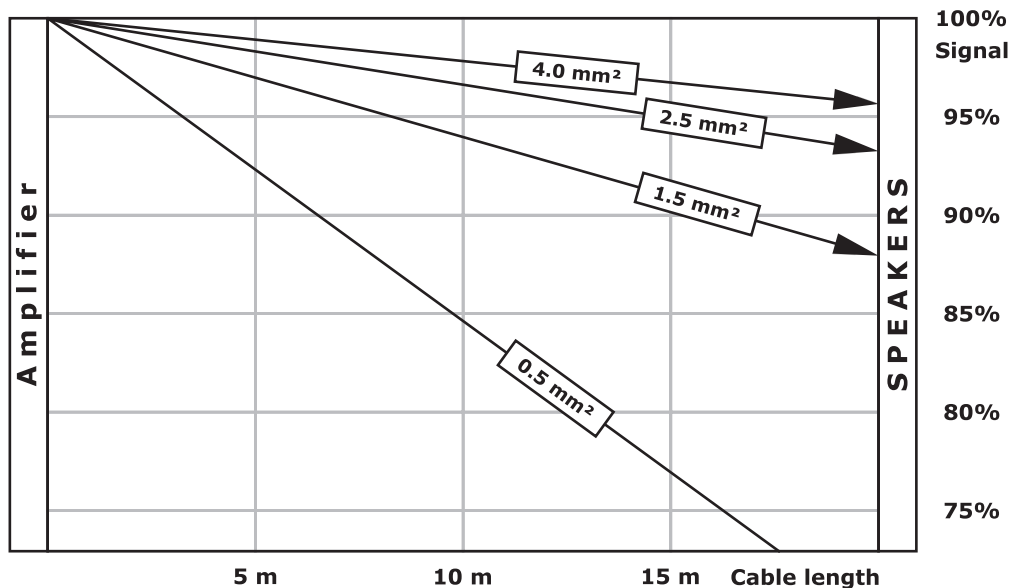
## Connecting cables

When connecting the cables to the loudspeaker, ensure that the polarity (+/-) and pin assignment (1/2) is correct. Incorrect connection results in a significant change in the loudspeaker sound characteristics and may damage the compression driver.

The two connection sockets on the back of the loudspeaker can be used to link multiple loudspeakers on a single amplifier. Note that parallel connection reduces the total impedance ( $\Omega$ ) seen by the amplifier. The total impedance of loudspeakers connected in parallel must not drop below the minimum operating impedance of the amplifier.

Voice-Acoustic recommends to use the available 4 x 4 mm<sup>2</sup> Speakon cables for mobile use.

We recommend wiring the basses with at least 4 mm<sup>2</sup> in installations. The cables of the tops in installations must be sufficiently dimensioned according to impedance, power and cable length.



Simplified display without consideration of loudspeaker impedances

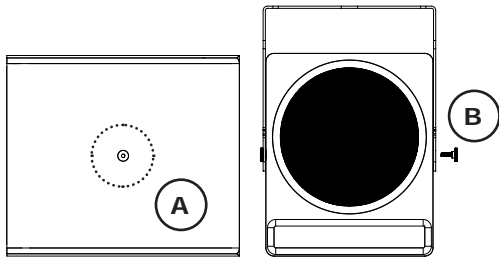
## Operation

The Aleasub-10 is exclusively intended for operation with Voice-Acoustic system electronics with internal DSP controller: the HDSP power amplifiers.

Make sure the appropriate preset has been selected before connecting the speaker to the system power amp or self-powered subwoofer.

Using the wrong preset can damage parts of the loudspeaker.

**Note:** If the Aleasub-10 is not operated on the intended Voice-Acoustic system electronics, the manufacturer's warranty for the loudspeaker expires!



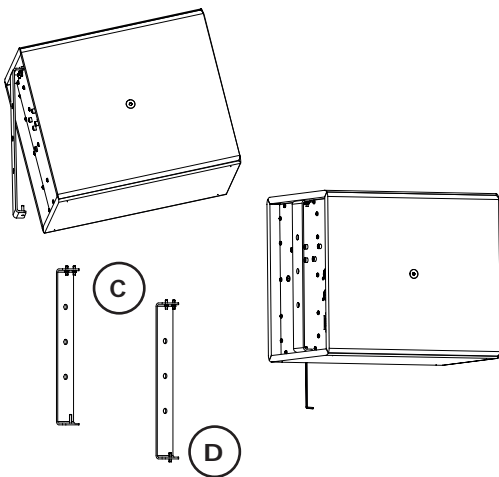
## Mounting the U-bracket

1. Remove the M10 countersunk screws (A) on both sides of the subwoofer.
2. Use the supplied M10 knurled screws (B) including plastic washers to mount the U-bracket.
3. To protect the coatings, place the plastic discs between the knurled screw, U-bracket and subwoofer.

The U-bracket can be used to install the subwoofer on ceilings. The four rubber feet are not screwed on, only included.

## Mounting wall holder for hidden mounting

To install the subwoofer flat on the wall, you must use the 4-pin Phoenix Contact connector in the recessed connector panel.

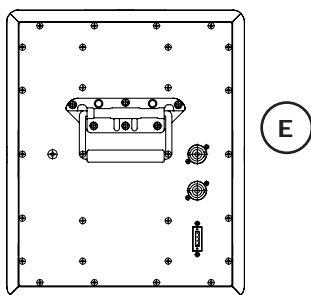


**Note:** The loudspeaker cables must be led out of the wall in the area of the recessed connection field!

2. Connect the subwoofer via the Phoenix Contact.
3. Hang the subwoofer into the two grub screws.
4. Turn the lower grub screw (D) out through the small opening at the bottom until it is flush with the edge of the housing.

## Folding handle mounting

1. Remove the five M6 x 12 mm cylinder head screws from the rear panel.
2. Use the five cylinder head screws to mount the folding handle to the rear of the subwoofer (E).





## Overview Accessories



U-Bracket for Aleasub-10 (Art.-Nr. 401001001)

U-Bracket for Aleasub-10, white with stainless steel knurled screws (Art.-Nr. 401001002)

U-Bracket for Aleasub-10, special color with stainless steel knurled screws (Art.-Nr. 401001009)



Aleasub-10 wall holder for hidden mounting (Art.-Nr. 401002001)



Phoenix contact 4-fold connector for Alea-4 and Aleasub-10 (Art.-Nr. 997463649)



Aleasub-10 handhold for hidden mounting back board (Art.-Nr. 999934482)

## **Imprint**

© SRV Licht- & Tonanlagen, all rights reserved.

All specifications in this manual are based on information available at the time of publishing for the features and safety guidelines of the described products. Technical specifications, measurements, weights and properties are not guaranteed.

The manufacturer reserves the right to make technical modifications according to legal regulations stipulating the continual improvement of product features. For the safe operation of the unit, this manual and all other required information must be available to all users at the time of assembly and disassembly of the unit, and during operation. Assemble or operate the unit only after reading and understanding this manual, and keeping it at hand at all times at the site.

We are happy to receive your suggestions and proposals for the enhancement of this manual.

Please send us your ideas to the following address:

SRV Licht- & Tonanlagen - Voice-Acoustic Headquarters  
Brocksfeld 3  
D-27313 Dörverden

Tel.: + 49 (0) 4234 942 777

E-Mail: [info@voice-acoustic.de](mailto:info@voice-acoustic.de)